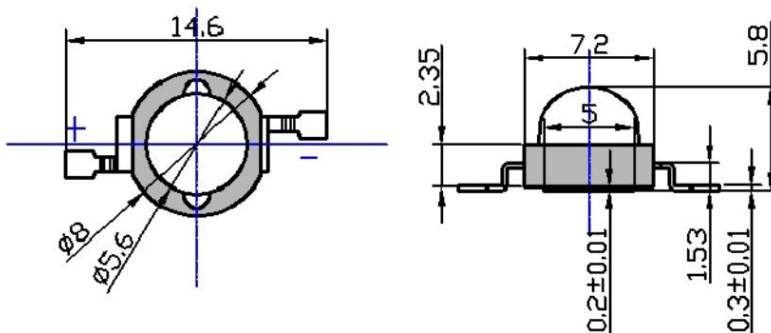


Part No:QG-1W
Dice material:InGaN
Emitting Color:Super bright
Absolute Maximum Rating(Ta=25°C)

Descriptions	Symbol	Value	Unit
Power Dissipation	PD	1360	mW
Forward Current(1/10 Duty Cycle,0.1ms Pulse Width)	IF	400	mA
Reverse Voltage	VR	9	V
Operating Temperature	Topr	-30~+85	°C
Storage Temperature	Tstg	-30~+100	°C
Soldering Temperature(2mm From Body)	Tsol	260~280	°C

Electro-optical(Ta=25°C)

Descriptions	Symbol	Conditions	Min	Typ	Max	Unit
Forward Voltage	VF	IF=350mA	2.9		3.5	V
Reverse Current	IR	VR=5V			2	μA
Chromaticity coordinates	X	IF=350mA				
	Y	IF=350mA				
Color Temperature	CT	IF=350mA	2700		10000	k
Viewing Angle(±5°)	Δθ	IF=350mA		120		Deg
Luminous Intersity	LM	IF=350mA	100		150	lm

Package Dimentions

Notes:

- 1 All dimensions are millimeters
- 2 Tolerance is ± 0.1 mm unless otherwise noted.
- 3 The specifications,charactersttics and technical data described in the datasheet are subject to change without prior notice.