

<b>Model. No.</b>	QG-3012AD1A
<b>Rev.</b>	A

# PRODUCT SPECIFICATION

## Model No.: QG-3012AD1A

Descriptions:
■ Dice material: GaP.
■ Emitting Color: Amber.
■ Device Outline: Φ3mm round type.
■ Lens Type: Amber diffused.



CUSTOMER APPROVED SIGNATURES	APPROVED BY	CHECKED BY	PREPARED BY

**NINGBO Haishu Qunguang Electric lighting CO;LTD.**

**Add:**NO.284 Jishi East Road Ningbo Zhejiang China

**Zip:**315170

**Tel:** 0086-574-88053698

**Fax:** 0086-574-88053976

**E-mail:** sales@qunguang-lighting.com (General)

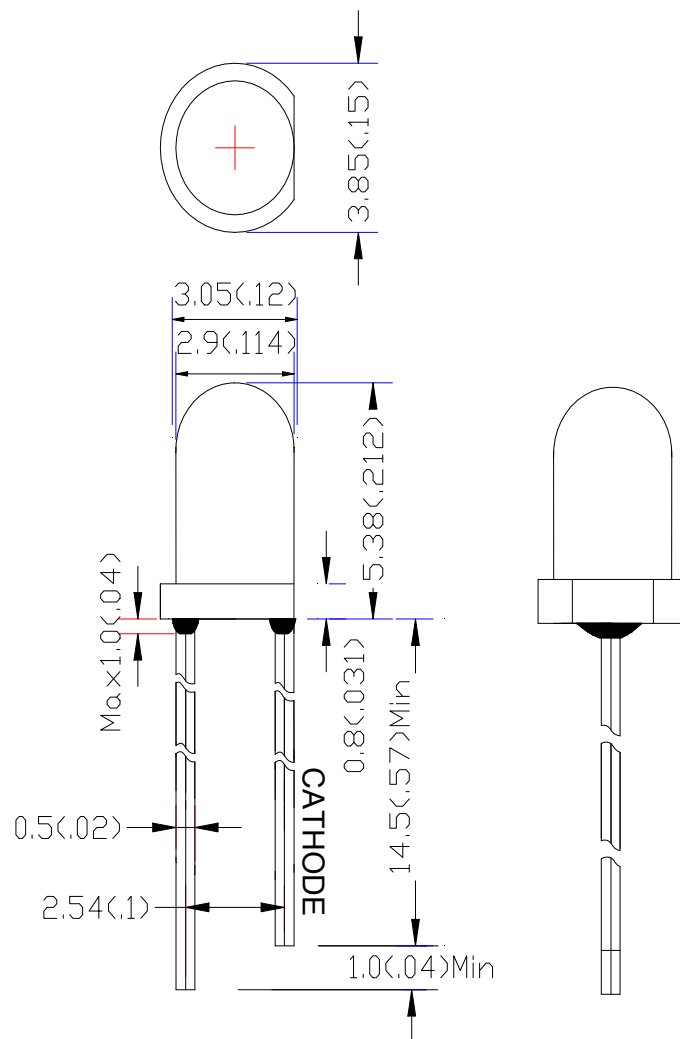
[www.qunguang-lighting.com](http://www.qunguang-lighting.com)

<b>Model. No.</b>	QG-3012AD1A
<b>Rev.</b>	A

## ■ Features

1. Low power consumption.
2. High efficiency.
3. General purpose leads.
4. RoHs compliant.

## ■ Package configuration



### Notes:

1. All dimensions are millimeters (inches)
2. Tolerance is  $\pm 0.25\text{mm}$  ( $\pm 0.010''$ ) unless otherwise noted.
3. The specifications, characteristics and technical data described in the datasheet are subject to change without prior notice.

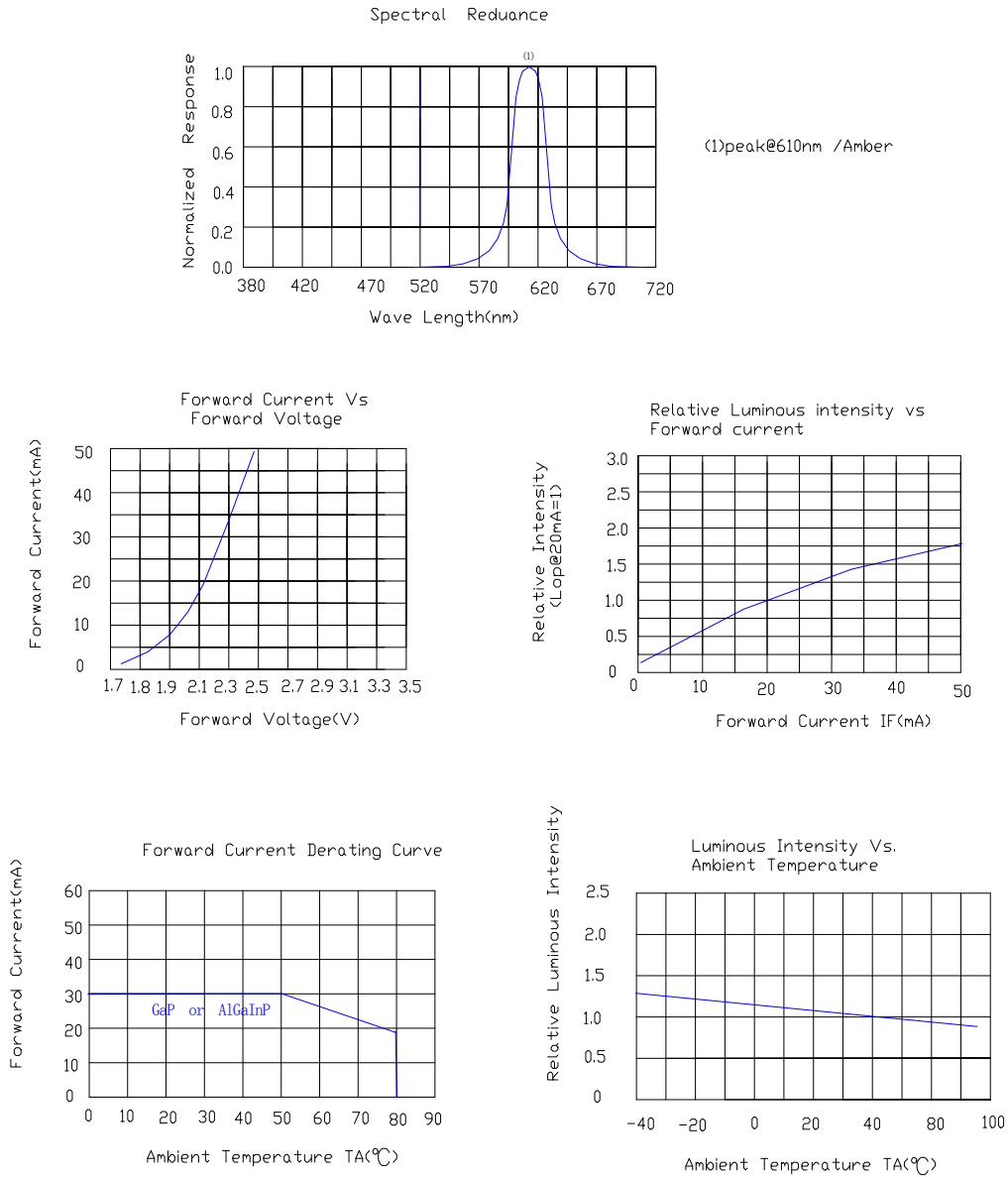
■ Absolute maximum ratings(Ta=25 °c)

Parameter	MAX.	Unit
Power Dissipation	75	mW
Peak Forward Current (1/10 Duty Cycle, 0.1ms Pulse Width)	100	mA
Continuous Forward Current	30	mA
Derating Linear From 50°C	0.4	mA/°C
Reverse Voltage	5	V
Operating Temperature Range	-40°C to +85°C	
Storage Temperature Range	-40°C to +100°C	
Lead Soldering Temperature[4mm(.157") From Body]	260°C for 5 Seconds	

■ Electrical and optical characteristics(Ta=25 °c)

Parameter	Symbol	Min.	Typ.	Max.	Unit	Test Condition
Luminous Intensity	I <sub>v</sub>	-	30	-	mcd	I <sub>F</sub> =20mA
Viewing Angle	2θ <sub>1/2</sub>	-	40	-	Deg	
Peak Emission Wavelength	λ <sub>p</sub>	-	610	-	nm	
Dominant Wavelength	λ <sub>d</sub>	600	605	610	nm	
Spectral Line Half-Width	Δλ	-	20	-	nm	
Forward Voltage	V <sub>F</sub>	1.7	2.1	2.5	V	V <sub>R</sub> =5V
Reverse Current	I <sub>R</sub>			10	μA	

**■ Typical Electrical Characteristics Curves**  
**(25 °c Ambient Temperature Unless Otherwise Noted)**



**Radiation pattern.**

