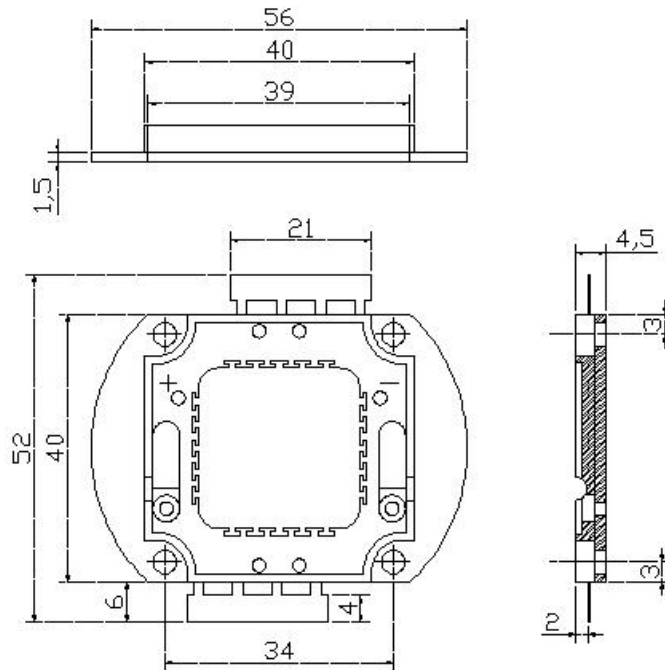


**Part No:QG-30WRGB**
**Dice material:InGaN**
**Emitting Color:Super bright**
**Absolute Maximum Rating(Ta=25°C)**

Descriptions	Symbol	Value	Unit
Power Dissipation	PD	40000	mW
Forward Current(1/10 Duty Cycle,0.1ms Pulse Width)	IF	2000	mA
Reverse Voltage	VR		V
Operating Temperature	Topr	-30~+85	°C
Storage Temperature	Tstg	-30~+100	°C
Soldering Temperature(3mm From Body)	Tsol	260	°C

**Electro-optical(Ta=25°C)**

Descriptions	Symbol	Conditions	Min	Typ	Max	Unit
Forward Voltage(GB)	VF	IF=350mA	30		34	V
Forward Voltage(R)	VF	IF=350mA	18		24	V
Reverse Current	IR	VR=5V				μA
Wave Length	R	IF=350mA	620		625	nm
	G	IF=350mA	520		525	
	B	IF=350mA	460		465	
Viewing Angle(±5°)	Δθ	IF=1750mA		160		Deg

**Package Dimentions**

**Notes:**

1 All dimensions are millimeters

2 Tolerance is ±0.1mm unless otherwise noted.

3 The specifications, characteristics and technical data described in the datasheet are subject to change without prior notice.